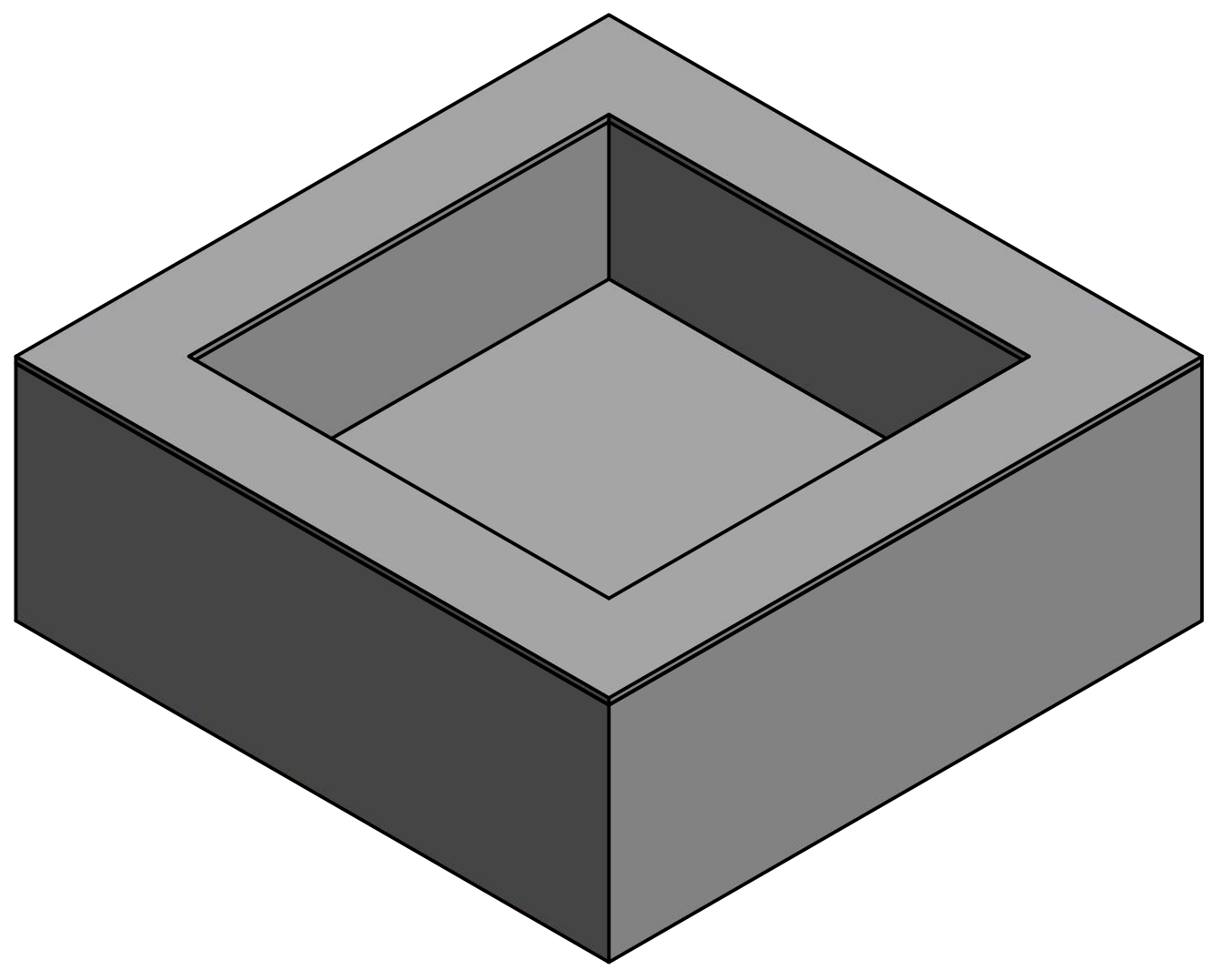
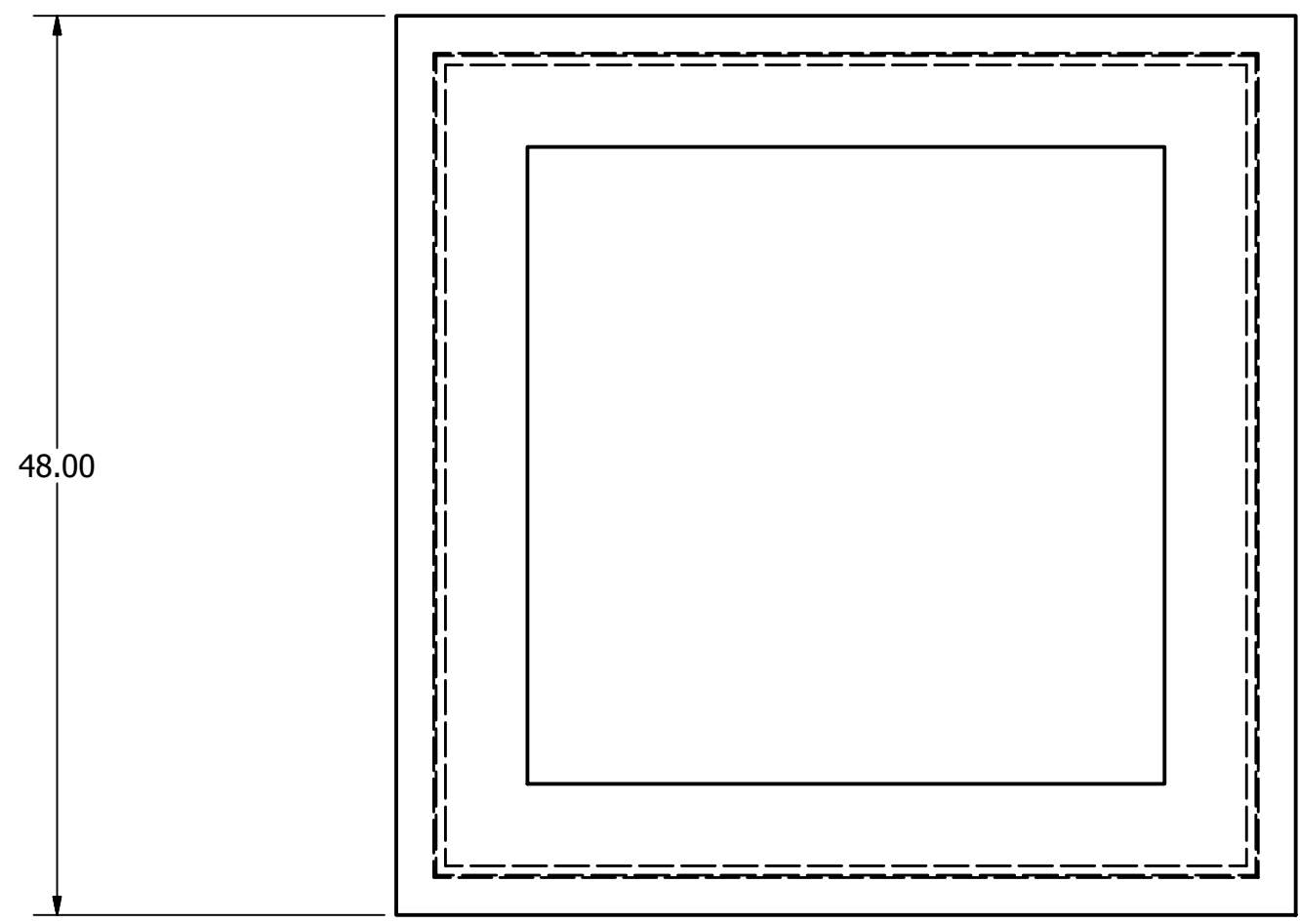


4 3 2 1

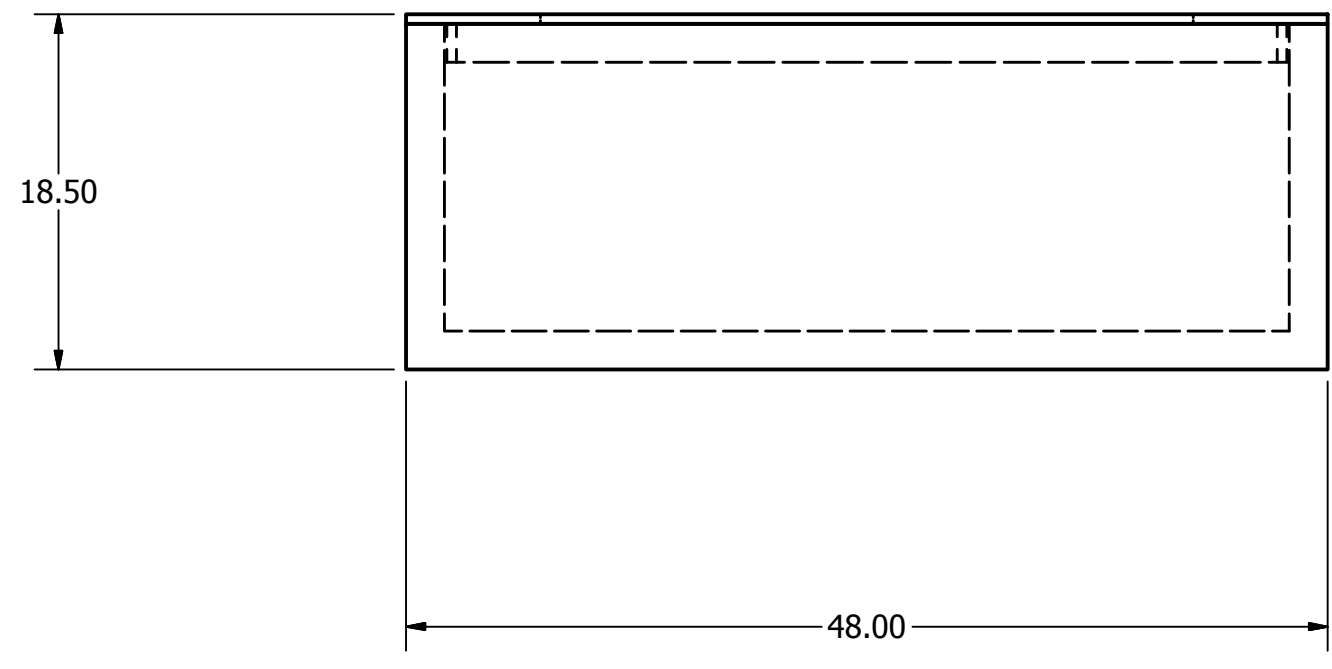
D

D



C

C



B

B

A

A

4 3 2 1

| | | | | |
|----------|----------|-------------------------------|--------------|-----|
| DRAWN | 2/4/2013 | Gary Johnson | | |
| CHECKED | | TITLE | | |
| QA | | Square Fire Pit Kit | | |
| MFG | | DISCRIPTION | | |
| APPROVED | | 48" SQUARE FIRE PIT, 18" TALL | | |
| | | SIZE | PART NO. | REV |
| | | C | SFP484818 | |
| | | SCALE | SHEET 1 OF 1 | |